

PB

Model Number	Category / Type	Description
EtherCAT DC input, dual axis type :		
** "PB4 EtherCAT" system = Encoder Resolution: 500 p/r (x4 subdivision = 2000 p/r)		
PB4D003E2D0	PB Driver	DC24/48V±10% 5A
PBM284FXE50	PB Motor	PB 28mm Motor
PBM423FXE50	PB Motor	PB 42mm Motor
PBM603FXE50	PB Motor	PB 60mm Motor
PBM604FXE50	PB Motor	PB 60mm Motor
PBC9P0020A	PB Motor	Power cable
PBC8M0030A	PB Motor	Motor extension cable
PBC7E0030A	PB Motor	Encoder extension cable for incremental encoder
PBC1S0010A	PB Motor	I/O Cable w/o Shield (1m)
PBC1S0010C	PB Motor	I/O Cable w/ Shield (1m)
PBFE-R1	PB Motor	regenerative registor for PB4D003E2D0/PB4D003EAD0
PBFM-U6	PB accessory	Communication Converter Unit
SPBA1W-01	PB Software	PC I/F Software

DC input, Single axis type (Type-M) : "PB3"

**** "PB3" system = Encoder Resolution: 500 p/r (x4 subdivision = 2000 p/r)**

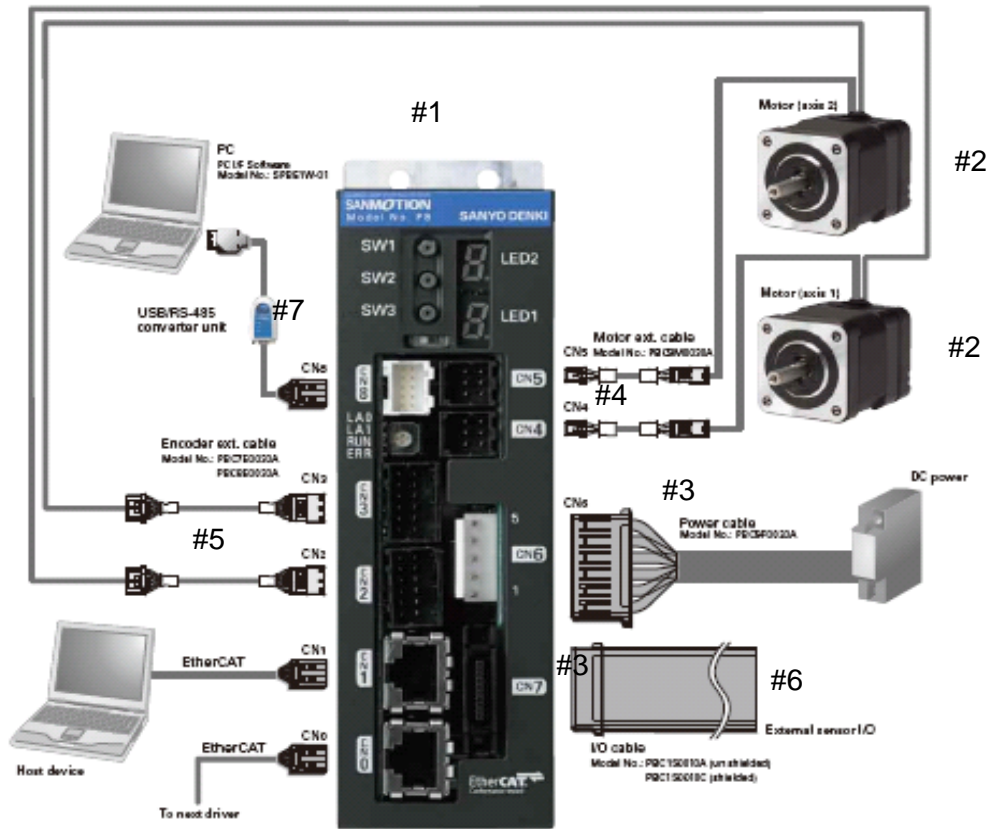
PB3D003M200	PB Amplifier	PB Driver, DC24/48V Input, Type-M, Single Axis
PBM282FXE20	PB Motor	PB 28mm Motor, Inc 500p/r
PBM284FXE20	PB Motor	PB 28mm Motor, Inc 500p/r
PBM423FXE20	PB Motor	PB 42mm Motor, Inc 500p/r
PBM603FXE20	PB Motor	PB 60mm Motor, Inc 500p/r
PBM604FXE20	PB Motor	PB 60mm Motor, Inc 500p/r
PBC6P0010A	PB Cable	Power Cable 1m
PBC6M0030A	PB Cable	Motor Extension Cable 3m, If necessary
PBC6E0030A	PB Cable	Encoder Cable 3m, If necessary
PBC5S0010A	PB Cable	I/O Cable (unshielded) 1m
PBC6C0003A	PB Cable	Communication Cable (to driver), 0.3m, If necessary
PBFM-U6	PB accessory	Communication Converter Unit
SPBA1W-01	PB Software	PC I/F Software

AC input, Single axis type (Type-R, Type-P) : "PB4" - "NEW"

**** "PB4" system = Encoder Resolution: 4000 p/r (x4 subdivision = 16000 p/r)**

PB4A002R300	PB Amplifier	PB Driver, AC100-115V Input, Type-R, Single Axis
PB4A002R301	PB Amplifier	PB Driver, AC200-230V Input, Type-R, Single Axis
PB4A002P300	PB Amplifier	PB Driver, AC100-115V Input, Type-P, Single Axis
PB4A002P301	PB Amplifier	PB Driver, AC200-230V Input, Type-P, Single Axis
PBM423FXK30-M	PB Motor	PB 42mm Motor, Inc 4000p/r (UL/CE soon)
PBM603FXK30-M	PB Motor	PB 60mm Motor, Inc 4000p/r, UL/CE approval
PBM604FXK30-M	PB Motor	PB 60mm Motor, Inc 4000p/r, UL/CE approval
PBM861FXK30-M	PB Motor	PB 86mm Motor, Inc 4000p/r, UL/CE approval
PBM862FXK30-M	PB Motor	PB 86mm Motor, Inc 4000p/r, UL/CE approval
PBC8P0010A	PB Cable	Power Cable 1m
PBC7M0030A	PB Cable	Motor Extension Cable 3m, If necessary
PBC7E0030A	PB Cable	Encoder Cable 3m, If necessary
PBC5S0010A	PB Cable	I/O Cable (unshielded) 1m, 26pin, If necessary
PBC5S0010C	PB Cable	I/O Cable (shielded) 1m, 26pin, If necessary For electrical noise protection, especially PB-P
PBC6C0003A	PB Cable	Communication Cable (to driver), 0.3m, for PB-R if necessary
PBFM-U6	PB accessory	Communication Converter Unit
PBC7S0010A	PB Cable	Limit Input Cable 1m, for PB-P if necessary
SPBALL-01	PB Software	PC I/F Software

P22 PB EtherCAT wd PB Wiring Diagram (PB 2-AXIS EtherCAT DC Input Type)

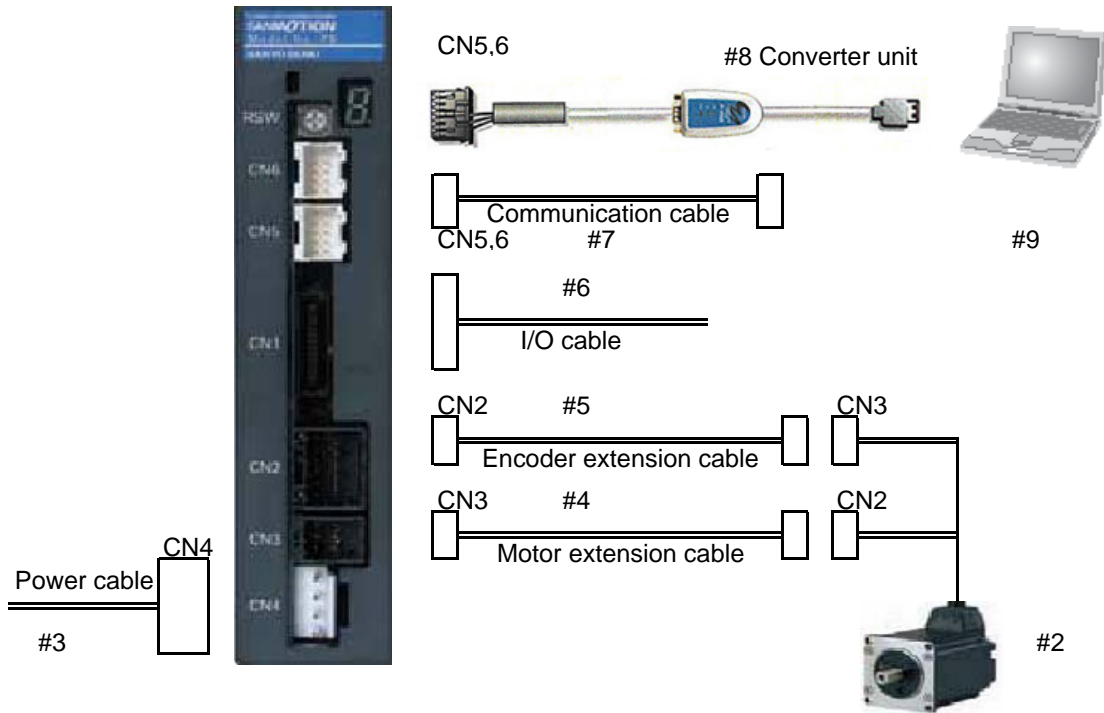


To build a complete system, you need to have " * " items below.

*	1	PB4D003E2D0	PB Amplifier	PB Ethercat Driver, 2-axis DC Input
*	2	PBM***FXE50	PB Motor X 2	PBM282 to PBM604 type
*	3	PBC9P0020A	PB Cable	Power Cable 2m
	4	PBC8M0030A	PB Cable	Motor Extension Cable 3m, If necessary
	5	PBC7E0030A	PB Cable	Encoder Cable 3m, If necessary
	6	PBC1S0010A	PB Cable	I/O Cable (unshielded) 1m, 20pin, If necessary
	7	PBFM-U6	PB accessory	Communication Converter Unit, For PB
	8	SPBALL-01	PB Software	PC I/F Software

P23-25 PB wd PB Wiring Diagram (DC input PB-M)

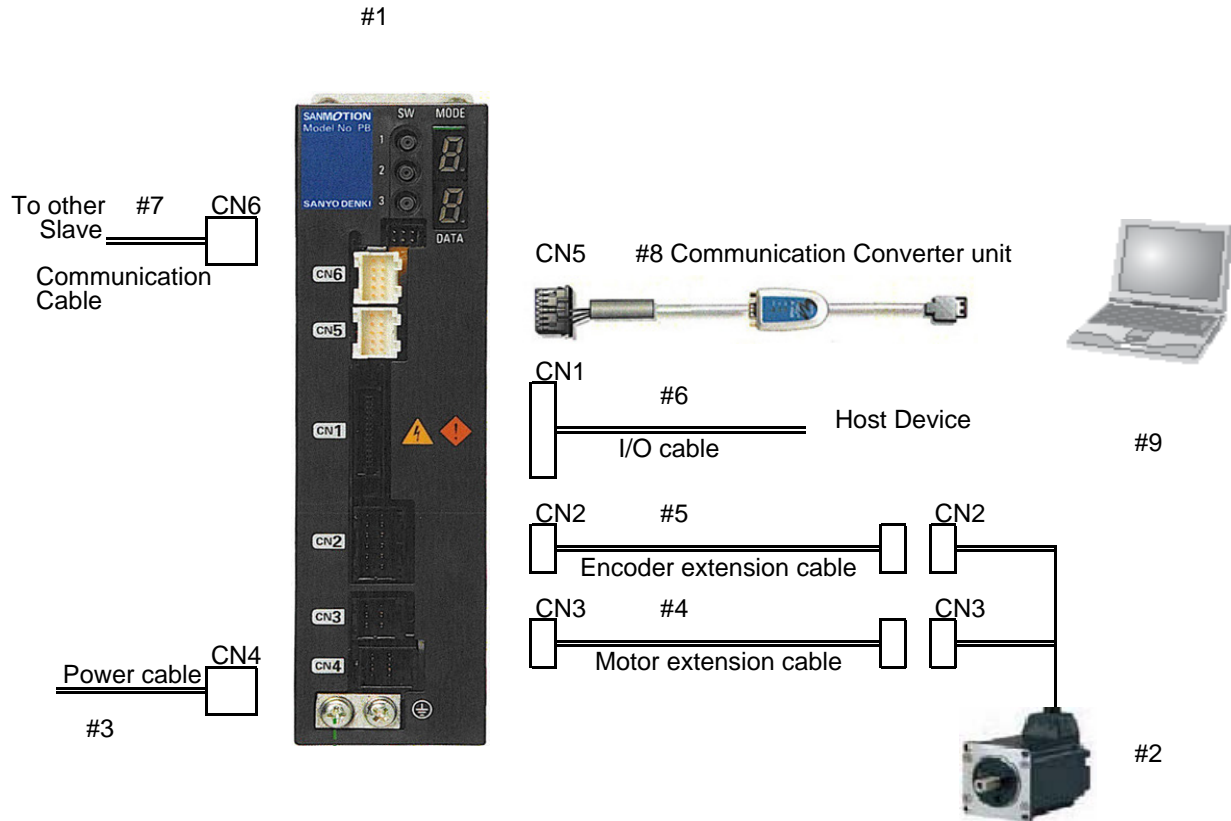
#1



1	PB3D003M200	PB Amplifier	PB Driver, DC24/48V Input, Type-M, Single Axis
2	PBM***FXE20	PB Motor	PBM282 to PBM604 type
3	PBC6P0010A	PB Cable	Power Cable 1m
4	PBC6M0030A	PB Cable	Motor Extension Cable 3m, If necessary
5	PBC6E0030A	PB Cable	Encoder Cable 3m, If necessary
6	PBC5S0010A	PB Cable	I/O Cable (unshielded) 1m, 26pin
7	PBC6C0003A	PB Cable	Communication Cable (to driver), 0.3m, If necessary
8	PBFM-U6	PB accessory	Communication Converter Unit, For PB
9	SPBA1W-01	PB Software	PC I/F Software

P23-25 PB wd

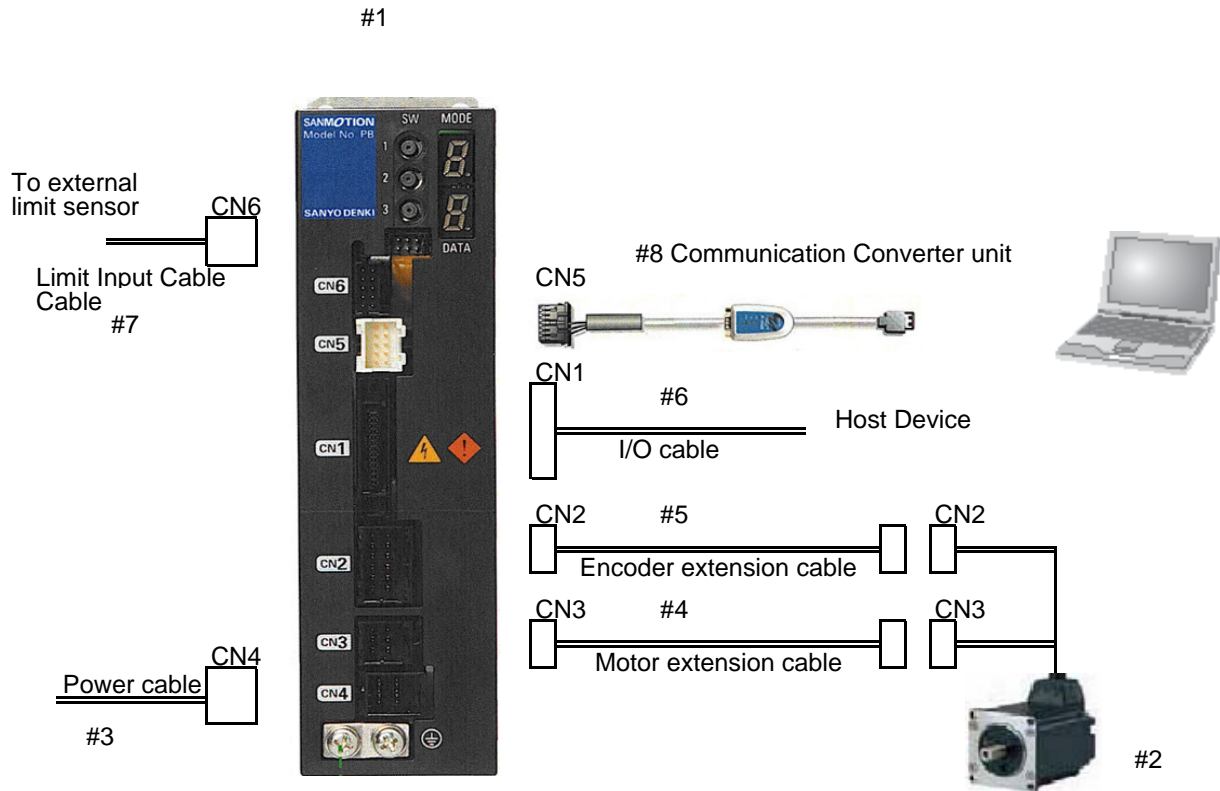
PB Wiring Diagram (AC input PB-R)



1	PB4A002R300	PB Amplifier	PB Driver, AC100-115V Input, Type-R, Single Axis
1	PB4A002R301	PB Amplifier	PB Driver, AC200-230V Input, Type-R, Single Axis
2	PBM***FXK30	PB Motor	PBM423 to PBM862 type
3	PBC8P0010A	PB Cable	Power Cable 1m
4	PBC7M0030A	PB Cable	Motor Extension Cable 3m, If necessary
5	PBC7E0030A	PB Cable	Encoder Cable 3m, If necessary
6	PBC5S0010A	PB Cable	I/O Cable (unshielded) 1m, 26pin, If necessary
7	PBC6C0003A	PB Cable	Communication Cable (to driver), 0.3m, For PB-R If necessary
8	PBFM-U6	PB accessory	Communication Converter Unit, For PB
9	SPBALL-01	PB Software	PC I/F Software

P23-25 PB wd

PB Wiring Diagram (AC input PB-P)



1	PB4A002P300	PB Amplifier	PB Driver, AC100-115V Input, Type-P, Single Axis
1	PB4A002P301	PB Amplifier	PB Driver, AC200-230V Input, Type-P, Single Axis
2	PBM***FXK30	PB Motor	PBM423 to PBM862 type
3	PBC8P0010A	PB Cable	Power Cable 1m
4	PBC7M0030A	PB Cable	Motor Extension Cable 3m, If necessary
5	PBC7E0030A	PB Cable	Encoder Cable 3m, If necessary
6	PBC5S0010C	PB Cable	I/O Cable (shielded) 1m, 26pin, If necessary For electrical noise protection, especially PB-P
7	PBC7S0010A	PB Cable	Limit Input Cable 1m, for PB-P if necessary
8	PBFM-U6	PB accessory	Communication Converter Unit, For PB
9	SPBALL-01	PB Software	PC I/F Software